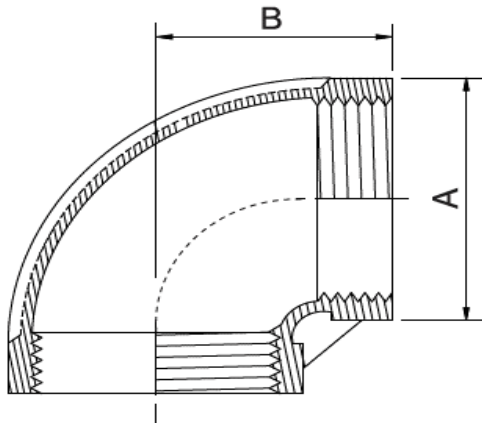




**STAINLESS STEEL LIGHT TYPE SCREWED FITTINGS
BSPP (ISO 228-1), BSPT (ISO 7-1), NPT THREAD**

DIMENSION: LIGHT TYPE
MATERIAL CONFORM TO ASTM A351 GR. CF8 & CF8M
PRESSURE-TEMPERATURE RATINGS 300 PSI (-29 TO 66°C)
MADE BY LOST WAX INVESTMENT CASTING



ELBOW 90° F.F.

**Economic
Pattern**

Size	A	B	Weight
	(mm)	(mm)	(Kg/Pc)
1/2"	26.5	22.5	0.05
3/4"	32.3	26.4	0.07
1"	40.0	31.6	0.12
1 1/4"	49.0	37.7	0.17
1 1/2"	55.5	41.0	0.23
2"	68.0	47.8	0.36